

# Application Methods for Inoculants with Seed Treatments



BASF inoculants are compatible with many registered seed treatments. Use the registered labels or compatibility charts for individual products plus the following descriptions for information on application methods.

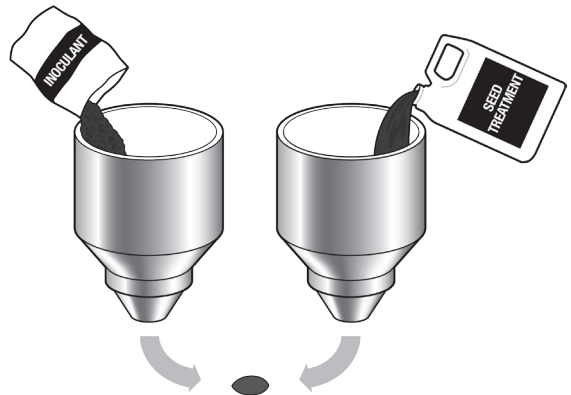
## TANK MIX

The inoculant is mixed with the seed treatment in a single tank and applied as one solution or suspension using the same applicator. The inoculant and seed treatment can be tank mixed for a period of time before application to the seed.



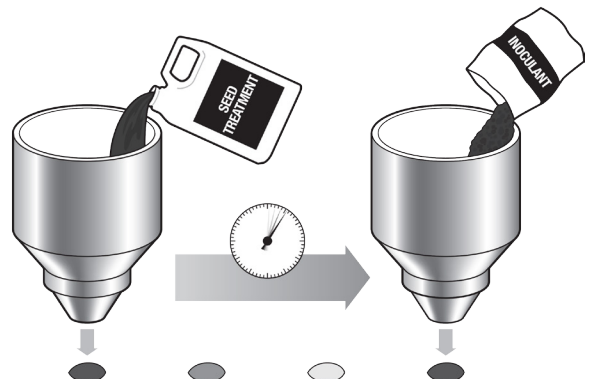
## SIMULTANEOUS (WET SEQUENTIAL)

The inoculant and seed treatment are applied at the same time, from separate tanks. They must be applied by separate applicators to be defined as a simultaneous or wet sequential application.



## DRY SEQUENTIAL

One product is applied first and allowed to dry, before the second product is applied. This can be a seed treatment followed by an inoculant or an inoculant followed by a seed treatment. Drying time will vary based on formulation, relative air humidity, and other factors. A minimum 30 minutes is typical but it may take up to a day.



For more information call **AgSolutions**® Customer Care at 1-877-371-BASF (2273) or visit [agsolutions.ca](http://agsolutions.ca).