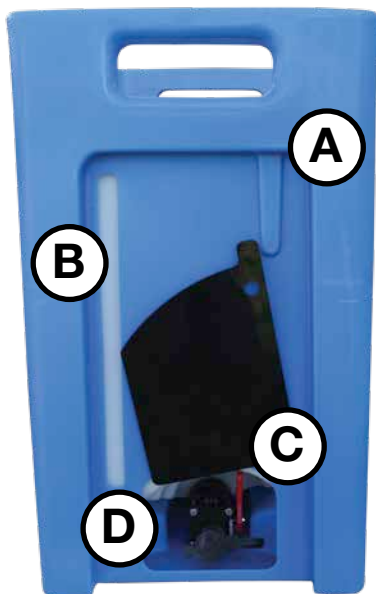


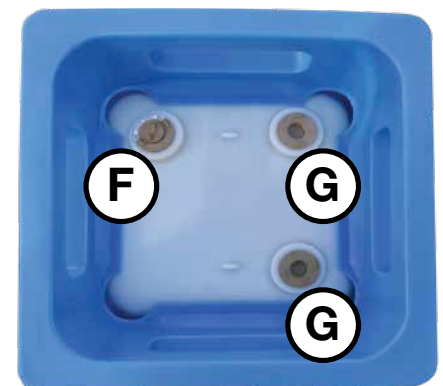
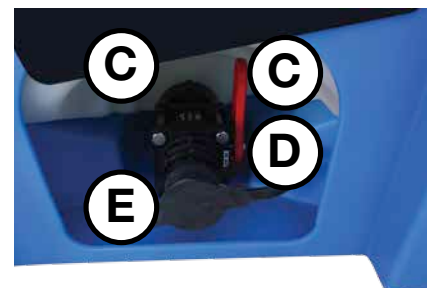
There are a few things growers must have, and should be aware of, to use BASF Bulk Container **Shuttles**. The Shuttles are not difficult to use, and once set-up, growers find them to be much more convenient than jugs.

Shuttle Features:

- Manual venting.
- Colour-coded Shuttle units for easy fungicide product identification.
- Top-lift capabilities.
- A cam lock discharge connector is included.
- Calibration markings on the exterior of the Shuttle in litres – only to be used as a guide.
- Dry break – quick connect fittings.
- Dry break camlock coupler components are included.
- Self-draining (no need for cleaning).
- Shrink-wrapped and shipped four to a pallet. Pallets can be stacked 2 pallets high maximum when filled, and 3 pallets high maximum when empty.

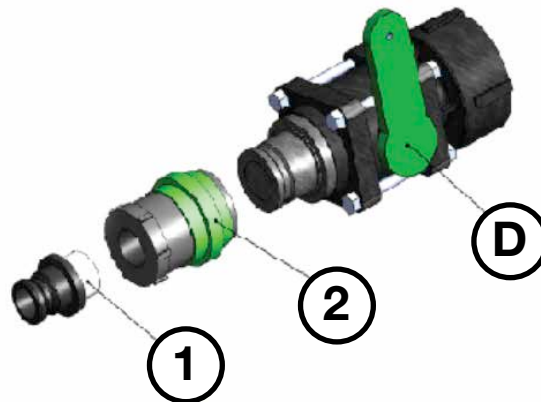
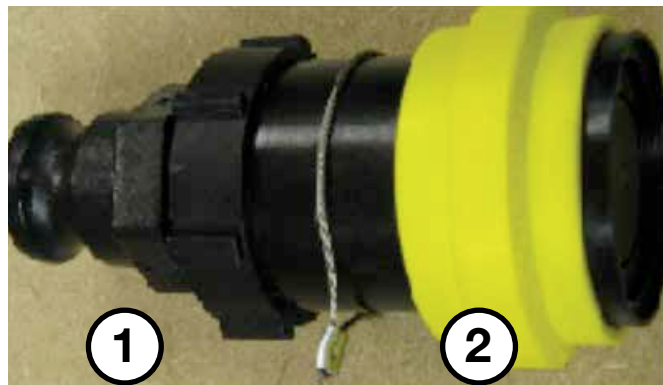


- A** Convenient colour-coding identifier.
- B** Translucent calibration markings to view volume level. (*Note:* Gradation used as a guide only).
- C** Bottom check valve with protective door.
- D** Dry break – quick connect fittings.
- E** Dust cap.
- F** Manual air vent (1) with tamper proof wire seal.
- G** Automatic air vents (2) with tamper proof wire seals.



Note: Headline® fungicide Shuttle shown in above container images.

Dry break camlock coupler (included):



- 1 1" Male camlock adapter
- 2 1" Female dry break coupler

Shuttle Overview:

- BASF agricultural products currently available in Shuttle bulk container format for ordering include:

Products	130L Shuttle		
	Volume*	Treatment	Unit Colour
Headline Fungicide	120L	750 ac	Blue
Twinline Fungicide	128L	640 ac	Purple
Caramba Fungicide	128L	320 ac	Gold Yellow

* Actual product volumes.

- All BASF Shuttles have a \$300 deposit/container.

Handling the Shuttle:

- When Shuttles are on the pallets, a forklift, skid steer or loader tractor can be used to move the pallet.
- Individual Shuttle container can be lifted for convenience.

Unloading the Fungicide:

- No rinsing is required.
- An electrical pump should be used to efficiently extract the fungicide (most pumps also have digital volume meters).
- Detailed emptying instructions can be found on the outer surface of every customer-ordered BASF Shuttle.

Proper Use to Start:

- Inspect Shuttle unit, check for damage, and ensure tamper proof wire seals are intact.
- Rotate the manual air vent open by turning counter-clockwise until it is fully extended.



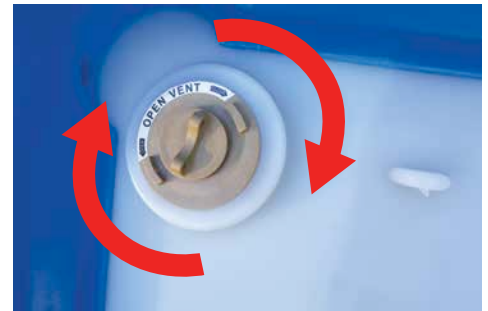
To open manual air vent turn counter-clockwise.

Measuring:

- A pump with a digital volume meter is the easiest way to measure.

Proper Use When Done:

- When you are finished with the Shuttle, rotate the manual air vent closed by turning clockwise.



To close manual air vent turn clockwise.

How Not To Treat Your Shuttle Bulk Containers. These Actions Can Void Your Deposit.

Once a Shuttle has been filled at our plant, we prevent access to the contents (interior of unit) by the application of wire tamper-proof seals. When you take possession of the Shuttle unit(s), inspect for any damage and to ensure all seals are intact. This is your guarantee that the contents have not been compromised.

While in your possession, you must not break these seals for any reason. If the Shuttle units are returned with one or more broken seals, we must assume that the interior of the units could have been contaminated by the introduction of a foreign substance. Therefore, the units must be destroyed to eliminate any risk of contamination.

When Shuttles are returned without their couplers, doors, vent caps and/or parts (including dry break connectors and slings), the retailer and subsequently the grower will be charged \$50 from the deposit.

Note: There is no reason to break a seal. The Shuttle units are sufficiently vented and are self-draining.

Damage:

- **Major damage** – punctures anywhere on the Shuttle or crushing – will render the container unusable and will result in the loss of your \$300 Shuttle deposit.
- **Minor damage** – missing couplers, missing doors, vent caps, and broken and/or missing parts (including dry break connectors and slings) – will result in \$50 being withheld from your \$300 Shuttle deposit.

Actions to avoid to ensure your \$300 Shuttle deposit is not voided (in full or partially):

- DO NOT cut the wire seals on top of a Shuttle. (Major damage).
- DO NOT drill or puncture holes in any Shuttle container. (Major damage).
- DO NOT mark, paint or write on any Shuttle container. (Minor damage).
- DO NOT introduce foreign substances into the Shuttle container or attempt to rinse. (Major damage).

Returns:

Please return empty Shuttle container(s) to your BASF retailer of purchase. The retailer will arrange pick-up of empty Shuttle containers.

Always read and follow label directions.

AgSolutions, and HEADLINE are registered trade-marks of BASF Corporation; TWINLINE is a registered trade-mark of BASF SE; CARAMBA is a registered trade-mark of BASF Agro B.V.; all used with permission by BASF Canada Inc. HEADLINE, TWINLINE, and/or CARAMBA fungicides should be used in a preventative disease control program. © 2015 BASF Canada Inc.